

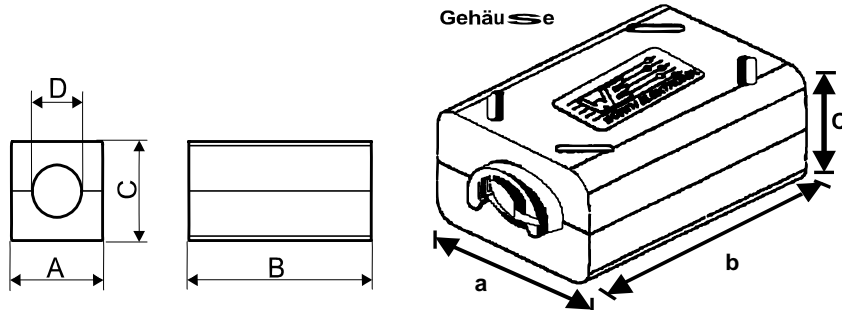
# Spezifikation für Freigabe / specification for release

Kunde / customer : \_\_\_\_\_  
 Artikelnummer / part number : **74271221**  
 Bezeichnung : **STAR-TEC mit Sicherheitsverschluss**  
 description : **STAR-TEC with Safety Lock**



DATUM / DATE : 2006-11-13

## A Mechanische Abmessungen / dimensions:

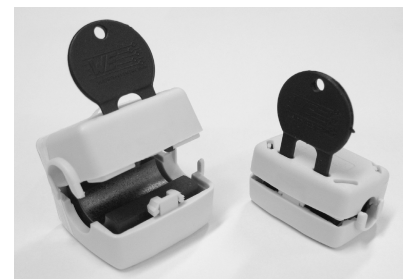


a	<b>33,6</b>	mm
b	<b>37,7</b>	mm
c	<b>29,5</b>	mm
A	<b>25,0</b>	mm
B	<b>28,0</b>	mm
C	<b>25,0</b>	mm
D	<b>13,0</b>	mm

## B Elektrische Eigenschaften / electrical properties:

Eigenschaften / properties	Testbedingungen / test conditions		Wert / value	Einheit / unit	Tol.
Impedanz @ 1 Wg./ impedance @ 1 turn	<b>25 MHz</b>	Z	<b>151</b>	$\Omega$	$\pm 25\%$
Impedanz @ 1 Wg./ impedance @ 1 turn	<b>100 MHz</b>	Z	<b>270</b>	$\Omega$	$\pm 25\%$
Impedanz @ 2 Wg./ impedance @ 2 turn	<b>25 MHz</b>	Z	<b>641</b>	$\Omega$	$\pm 25\%$
Impedanz @ 2 Wg./ impedance @ 2 turn	<b>100 MHz</b>	Z	<b>783</b>	$\Omega$	$\pm 25\%$

## C



## D Prüfgeräte / test equipment:

**HP 4191 B** für/for Z und/and material  
**16092A** - Klemme / clamp  
**AWG26** -  $\varnothing$  0,5mm - Länge/length: 165 mm

## E Testbedingungen / test conditions:

Luftfeuchtigkeit / humidity: 33%  
 Umgebungstemperatur / temperature: + 20°C

## F Werkstoffe & Zulassungen / material & approvals:

Basismaterial / base material: 4 W 620  
 Kunststoff / plastic material: PA 6  
 UL-Zulassungen / UL-approval: UL94-V0 / E96725  
 Farbe / colour: elektrograu / electronic grey

## G Eigenschaften / general specifications:

Curietemperatur / curie temperature: + 150°C  
 für Kabeldurchmesser / for cable diameter: 8,5 - 10,5 mm  
 Lagertemperatur / storage temperature: -40°C ~ + 85°C  
 Betriebstemp. / operating temperature: -25°C ~ +105°C

Freigabe erteilt / general release:	<b>Kunde / customer</b>		
	Unterschrift / signature	AF	Update
Datum / date	Unterschrift / signature	SMU	Update / Material
	<b>Würth Elektronik</b>	LF	RoHS update
		JH	Neugestaltung
Geprüft / checked	Kontrolliert / approved	Name	Änderung / modification
			Datum / date

**Würth Elektronik eiSos GmbH & Co. KG**

D-74638 Waldenburg · Max-Eyth-Strasse 1 - 3 · Germany · Telefon (+49) (0) 7942 - 945 - 0 · Telefax (+49) (0) 7942 - 945 - 400  
<http://www.we-online.com>

# Spezifikation für Freigabe / specification for release

Kunde / customer : \_\_\_\_\_

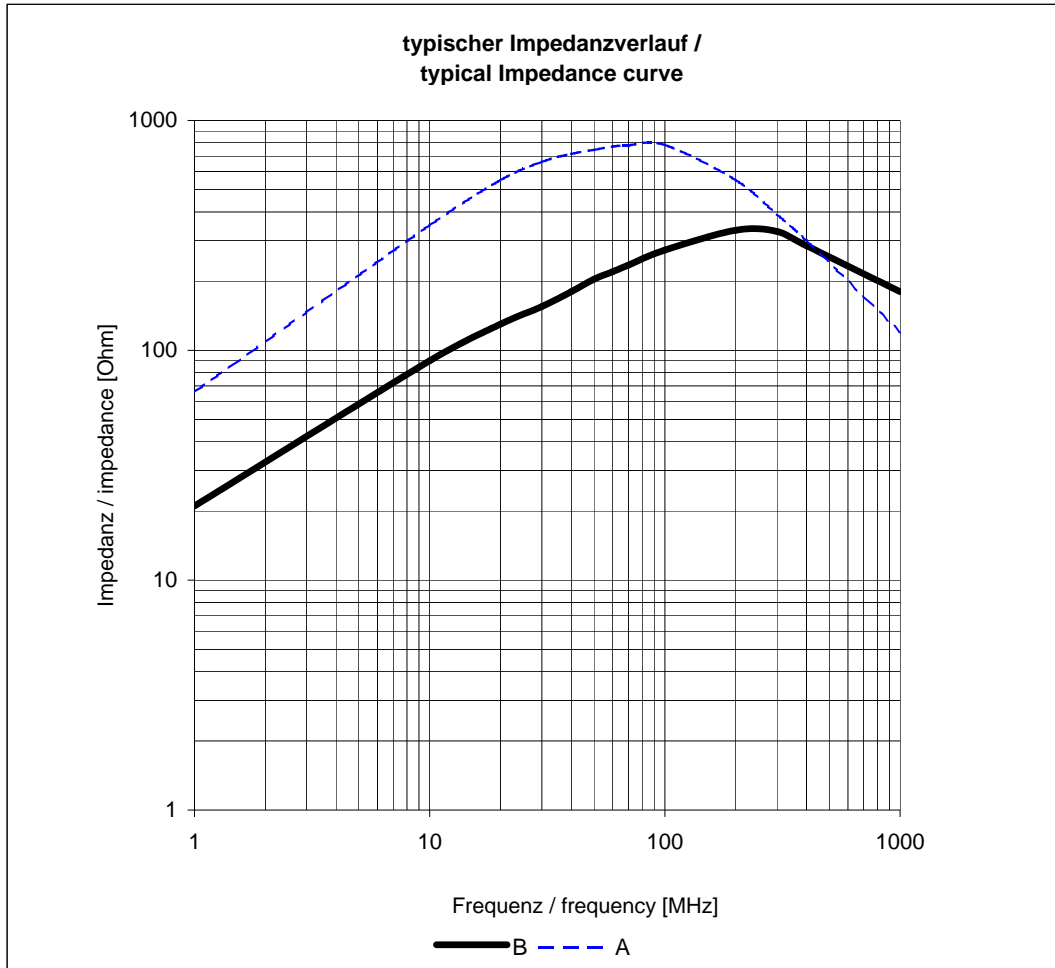
Artikelnummer / part number : **74271221**



Bezeichnung : **STAR-TEC mit Sicherheitsverschluss**  
 description : **STAR-TEC with Safety Lock**

DATUM / DATE : 2006-11-13

## H Impedanzverlauf / impedance curve:



**A: 2 x durch Bohrung Ferrit / 2 x times through ferrite**

**B: 1 x durch Bohrung Ferrit / 1 x times through ferrite**

Freigabe erteilt / general release:	<b>Kunde / customer</b>			
.....	.....			
Datum / date	Unterschrift / signature	AF	Update	06-11-13
	<b>Würth Elektronik</b>	SMU	Update / Material	06-11-13
		LF	RoHS update	04-10-11
.....	.....	JH	Neugestaltung	00-12-06
Geprüft / checked	Kontrolliert / approved	Name	<b>Änderung / modification</b>	Datum / date

This electronic component has been designed and developed for usage in general electronic equipment. Before incorporating this component into any equipment where higher safety and reliability is especially required or if there is the possibility of direct damage or injury to human body, for example in the range of aerospace, aviation, nuclear control, submarine, transportation, (automotive control, train control, ship control), transportation signal, disaster prevention, medical, public information network etc, Würth Elektronik eiSos GmbH must be informed before the design-in stage. In addition, sufficient reliability evaluation checks for safety must be performed on every electronic component which is used in electrical circuits that require high safety and reliability functions or performance.

**Würth Elektronik eiSos GmbH & Co. KG**

D-74638 Waldenburg · Max-Eyth-Strasse 1 - 3 · Germany · Telefon (+49) (0) 7942 - 945 - 0 · Telefax (+49) (0) 7942 - 945 - 400

<http://www.we-online.com>